



直接式吸料机

Single Autoloaders

TAL

直接式吸料机 Single Autoloaders

TAL

● 特点 Features

- 采用全不锈钢材质结构，确保原料不受污染。
 - 马达保护装置，可增长其使用寿命。
 - 采用织布滤网配合不锈钢网过滤粉尘，具有马达逆转除尘功能。
 - 采用不锈钢落料挡板，不需随不同原料而调整。
 - 自动喷洗功能。
 - 装配对射式光电开关，适于直接安装成型机入料口；装配近接开关，适于直接安装成型机料斗上。
 - 采用玻璃料管搭配静电电容感测器设计，可精确侦测原料输送。
 - 缺料自动报警。
 - 不锈钢型与感应型法兰座底与料斗是用卡箍锁住，便于拆卸。
- Stainless steel construction for ensuring material free from contamination.
 - Motor overload protection device ensures its long service life.
 - The adoption of Cloth mesh filter and stainless screener for double filtration protection to filter dust and motor reverse cleaning function.
 - Mechanical stainless flap is fitted which don't need to be adjusted according to different material.
 - Auto - cleaning function.
 - Autoloaders equip with photo sensors which are mounted onto the feeding port of injection molding machines; autoloaders equip with proximity switch which are mounted onto the hopper dryers.



直接式感应型吸料机
Single Induction Autoloaders

直接式不锈钢吸料机
Stainless Single Autoloaders

直接式普通型吸料机
Single Autoloaders

● 容易维护/快速清洁 Easy Maintenance / Quick Cleanup

TAL系列吸料机主要用于将流动性强的新料（主料）或次料直接快速输送到注塑机上，可掀式的真空马达上盖能保证清洗快速维护简便。

单相真空马达在设定的吸料时间产生真空气流把塑胶颗粒通过吸料管输送到吸料门内，之后原料直接落入到注塑机储料门内，这种吸料动作会持续进行直到注塑机储料门和吸料机料斗显示满料为止。

TAL series stainless steel (corrosion free) single hopper loader is designed to provide rapid transportation of free-flowing for virgin resin or regrind resin directly to injection molding machine. The design of hinged upper cover of vacuum motor ensures quick cleanup time and easy maintenance.

The single-phase vacuum suction motor creates a flow of air which carries the plastic granules into the hopper through the material conveying hose during setting suction time. The granules are then discharged directly into the processing machine hopper. This cycle is repeated until both the machine hopper and hopper loader are full.

● 稳定可靠的性能 Reliable Performance

吸料机的吸料时间、吸料动作以及吸料模式的选择的数位设定和显示都是通过微电脑处理器控制。具有故障自检与警报功能。所有型号的设备都是使用优质不锈钢材料，按照严格的工业标准制造，具有稳定可靠的性能。

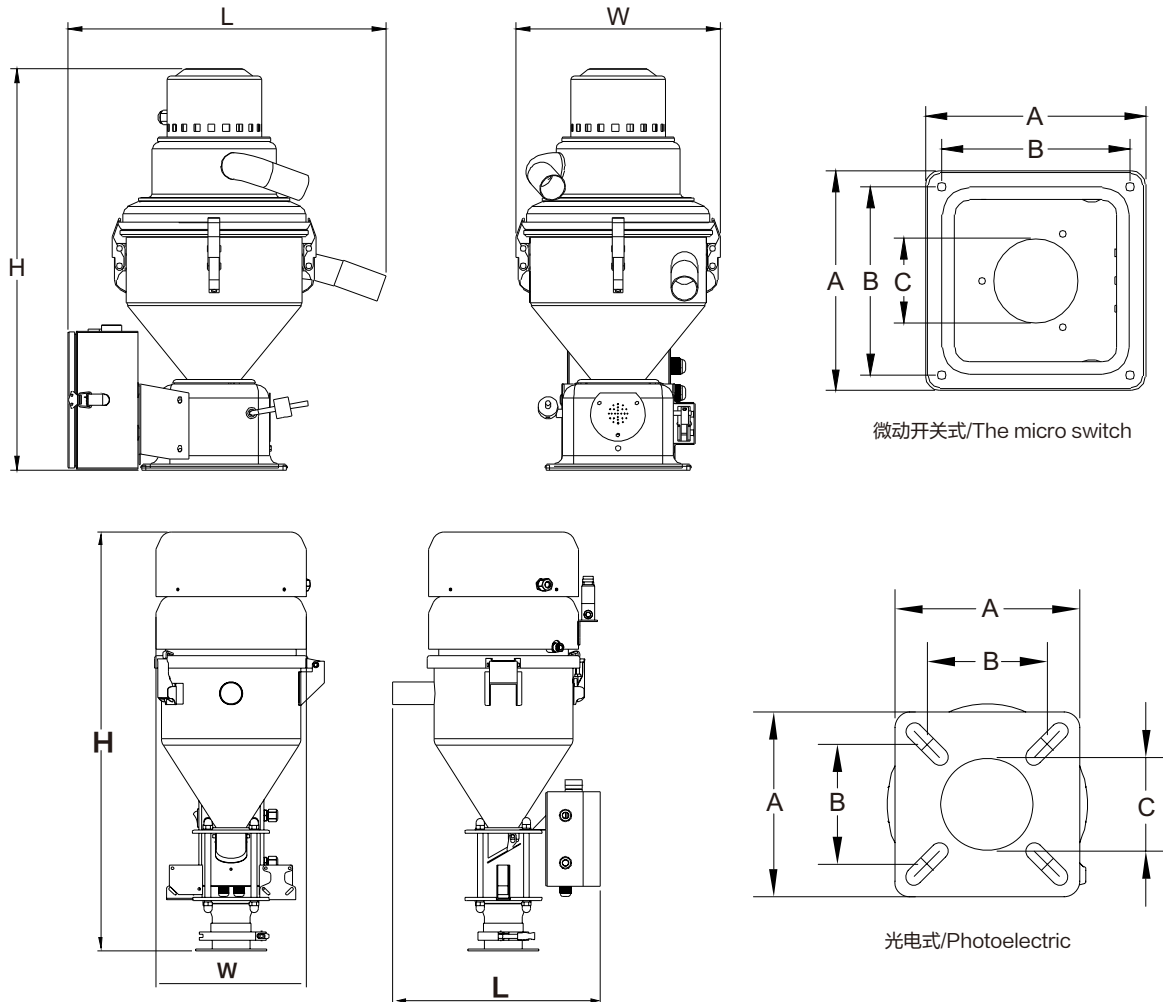
The setting and displaying for loading time, loading function, and mode selection digitally are controlled by microprocessor. Fault diagnosis & alarm are provided as standard features of the control. All models are built by the highest quality with stainless steel for providing consistent, reliable performance.

● 规格表 Specification Sheet

产品型号 Model		TAL-6E-L	TAL-6-L	TAL-6I-L	TAL-3SE-L	TAL-6SE-L	TAL-3S-L	TAL-6S-L	TAL-12S-L
料斗容量 Hopper Capacity	L	6	6	6	3	6	3	6	12
输送能力 Conveying Capacity	kg/h	200	200	400	70	140	70	140	200
风机功率 Blower Capacity	KW	1.4	1.4	0.75	1.4	1.4	1.4	1.4	1.4
感应类型 Sensor Type		光电式 Photoelectric	近接式 Proximate	微动开关 The micro switch	光电式 Photoelectric		近接式 Proximate		
系统电源 Power supply	V	220VAC 1P/PE 50Hz			220VAC 1P/PE 50Hz				
料管口径 Hose Size	mm	38.1 (1.5")			38.1 (1.5")				
过滤类型 Filter Type		不锈钢滤网加布布 Filter Netting & Cloth Filter 3							
总功率 Total Power	KW	1.45	1.45	0.8	1.45	1.45	1.45	1.45	1.45
外观尺寸 Dimensions	L(m)	0.43	0.43	0.56	0.34	0.36	0.32	0.37	0.37
	W(m)	0.3	0.3	0.32	0.24	0.29	0.3	0.35	0.35
	H(m)	0.73	0.73	0.68	0.63	0.71	0.47	0.56	0.69
固定尺寸 Size	A(m)	0.15	0.15	0.21	0.12×0.12	0.12×0.12	0.22	0.252	0.252
	B(m)	0.1	0.1	0.18	0.08	0.08	0.2	0.232	0.232
	C(m)	0.056	0.056	0.081	0.06	0.06	0.18	0.212	0.212
标配件 Standard Accessories		吸料管 Suction Tube + PVC 钢丝软管 Hose							
机器重量 Weight	kg	17	19	28	13	15	12	15	16.5

注：产品规格若有变更，恕不另行通知。 We reserve right to change specifications without prior notice.

● 产品结构图 Product Structure Diagram



有关产品性质和适用范围的说明并不保证产品属性，仅作可供了解的信息。我们的供货范围及提供的服务完全以合同条款为准绳。技术数据和插图仅作为供货参考。保留更改权利。

Feature and scope of the product does not guarantee the product attributes, only for reference. Our scope of delivery and services provided are based solely on the terms of delivery and services provided are based solely on the terms of the contract. Technical data and illustration are only for reference. We reserve the rights of changing.

TSD-2021-12

广东拓斯达科技股份有限公司

GUANGDONG TOPSTAR TECHNOLOGY CO.,LTD.

地址：广东省东莞市大岭山镇大塘朗创新路2号

ADD : No.2 Chuangxin Road, Datanglang, Dalingshan Town, Dongguan City, Guangdong Province.

电话/TEL: 0769-8305 0999 传真/FAX: 0769-8584 5562

全国统一客服热线 Domestic Service Hotline **400-096-8005**

